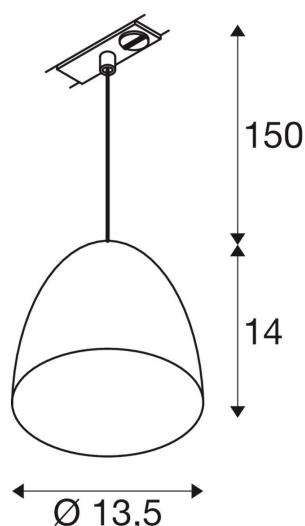




SHADE CONE 14 copper 3 CIRCUIT TRACK PENDANT LIGHT

Product Code TRK.3C.SHADECONEP14.CP



With its conically shaped reflector, the SHADE CONE 14 3-phase system light copper/white incl. 3-phase adapter provides a particularly warm lighting effect. The family can be individually combined into a cloud of light with a wide range of colours and sizes. The recessed ceiling light is connected to the busbar system, which makes it flexibly positionable as well as rotatable and pivoting. Thanks to the GU10 socket, the QPAR5 lamp is easy to replace. And last but not least, the aluminium housing impresses with its robust quality.

Colour	glossy copper/white	Height	14 cm
Material	steel	Diameter	13.5 cm
electrical power	35 W	Pendant length	150 cm
Socket	GU10	Primary nominal voltage	220-240V ~50/60Hz
Number of sockets	1	Net weight	0.35 kg
IP Code	IP20		