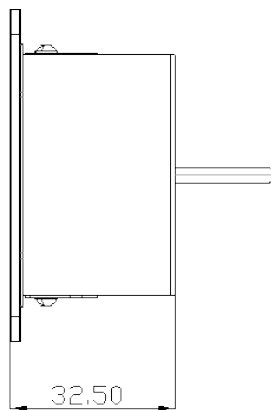
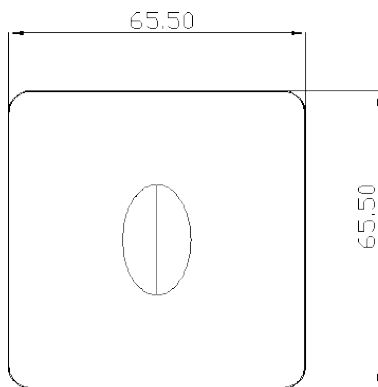


LUXA SNOOT Architectural Accent

Product Code LUXASNO.1.3000.30.P.BR

LUXA Snoot with 1.1W, 3000K, 90 CRI, 102lm, 30° light engine. IP20 clear glass & remote Phase Cut control gear

Variety of finishes available.



Variant	LUXA Snoot
CCT Channel	3000K
CRI	90
Current	350mA
Driver	Phase cut
Driver type	Remote
Forward Voltage	3V
Glass	Clear
Install Method	Ground recessed
IP Rating	IP20
Lamp Life	50,000hrs
Lamp Wattage	1.1W
Lumen output	102 lm
Operating temperature	-10° to +55°
Light Source	Single colour
Trim finish	Bronze
Voltage	110-240V