

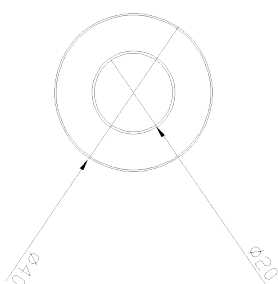
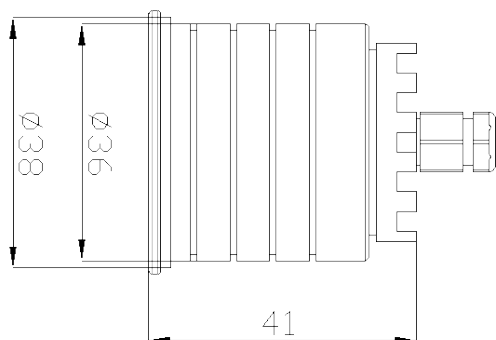
## LUXA MIDI Baffled Architectural In-ground



Product Code LUXAMIDIB.2.2700.9.P.CP

LUXA Midi Baffled with  
2.1W, 2700K, 90 CRI,  
105lm, 9° light engine. IP67  
clear glass & remote Phase  
Cut control gear.

Variety of finishes available.



<b>Variant</b>	LUXA Midi Baffled
<b>Adjustability</b>	Fixed
<b>Baffle Finish</b>	Black
<b>Beam Angle</b>	9°
<b>CCT Channel</b>	2700K
<b>CRI</b>	90
<b>Current</b>	700mA
<b>Driver</b>	Phase cut
<b>Driver type</b>	Remote
<b>Forward Voltage</b>	3V
<b>Glass</b>	Clear
<b>Install Method</b>	Ground recessed
<b>IP Rating</b>	IP67
<b>Lamp Life</b>	50,000hrs
<b>Lamp Wattage</b>	2.1W
<b>Lumen output</b>	175 lm
<b>Operating temperature</b>	-10° to +55°
<b>Light Source</b>	Single colour
<b>Trim finish</b>	Copper
<b>Voltage</b>	110-240V