



ELED 60W V-Series

Constant Voltage 24V 60W 0-10V/1-10V Dimmable

Product Code ACC.DRV.ELED60V.24

Models

ELED-60-24V

Output Specifications

Output Voltage	24V
Voltage Tolerance	±0.5v
Output Current	2.5A
Rated Power	60W

Input Specifications

Input Voltage	100-265VAC
Frequency Range	47-63Hz
Inrush Current	14.8A (Twidth=176µA 230VAC)
Full Load Efficiency (Typ.)	86%
AC Current (Max.)	0.64A
Leakage Current	<0.50mA
Power Factor	PF>0.95/120VAC PF>0.92/230VAC PF>0.90/265VAC (Full Loading)

Protection

Short Circuit	Hiccup mode, recovers automatically after fault condition is removed
Over Loading	≤120%
Over Current	≤1.2 *I _{out}
Over Temperature	100°C± 10°C shut down o/p voltage, recover automatically after temp. goes down

Environment

Working Temperature	-40~+60°C (Refer to derating curve)
Working Humidity	20-95% RH, non-condensing
Storage Temperature, Humidity	-40+80°C, 10-95% RH

brevont



ELED 60W V-Series

Environment

Temperature Coefficient	$\pm 0.03\%/^{\circ}\text{C}$ (0-50°C)
Vibration	10-500Hz, 5G 12min./1 cycle, period for 72min.each along X,Y,Z axes

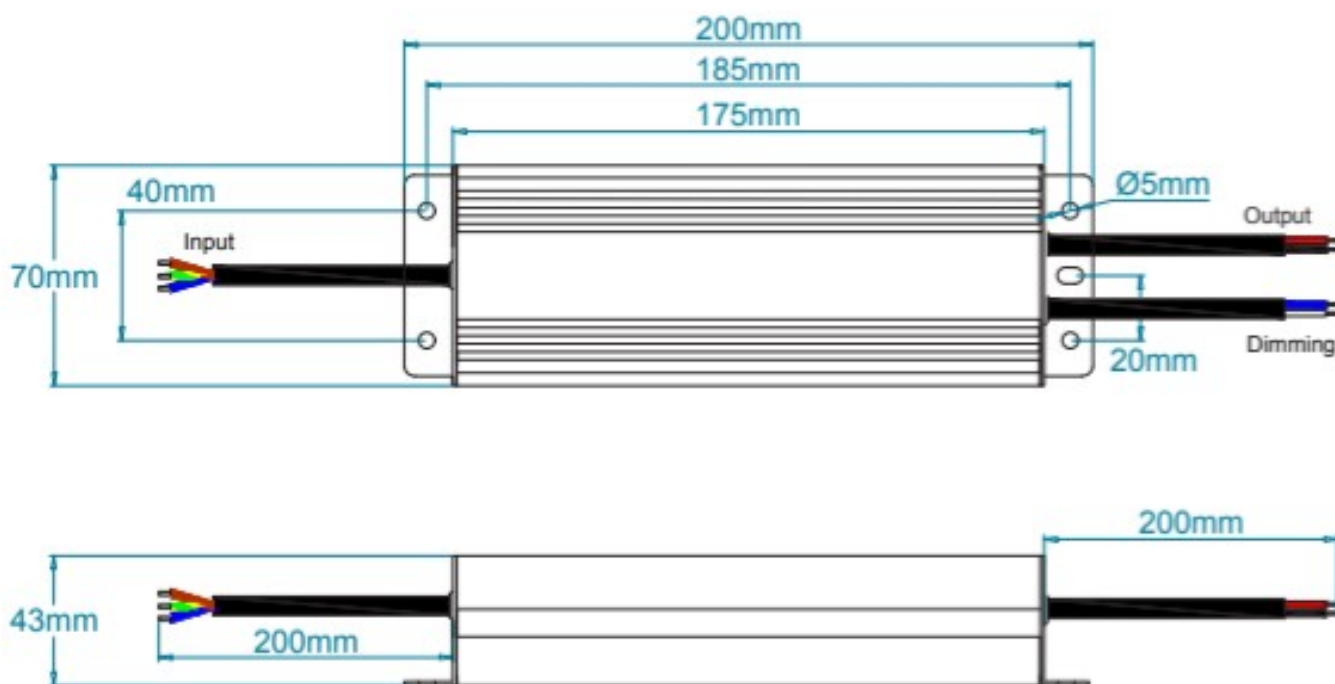
Safety & EMC

Safety Standards	EN61347-1, EN61347-2-13
Withstand Voltage	I/P-O/P: 3.75KVAC /P-FG:1.88KVAC O/P-FG:0.5KVAC
Isolation Resistance	I/P-OP/P I/P-FG O/P-FG: 100M Ω /500VDC/25°C /70%RH
EMC Emission	Compliance to EN55015, EN61000-3-2 ($\leq 60\%$ load)
EMC Immunity	EN61000-4-2,3,4,5,6,11, EN61547, lighting industry Level (surge 4KV) Criteria A

Other Specifications

Weight	1.0 Kg
Size	200 x 70 x 43 mm
Packing	329 x 279 x 176 mm (10PCS/CTN)

Mechanical Specifications



brevont

www.brevont.com

Lechtal House, Borovere Business Park, Borovere Lane

ALTON, GU34 1FH

United Kingdom

enquiries@brevont.com