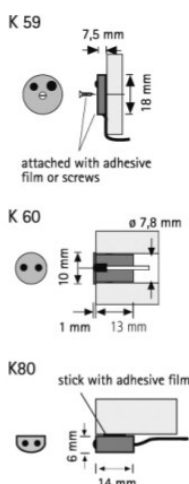
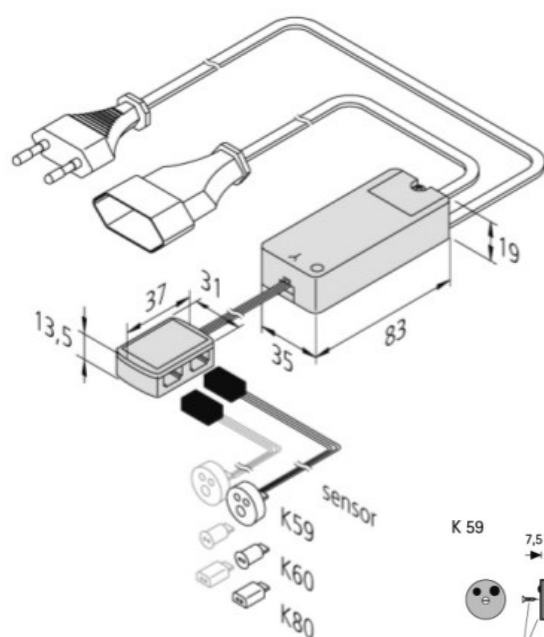




## Infra Red Door switch Contactless single door switch

Product Code ACC.IRDS.S.001



Description: contactless door switch for connection of class II equipment for luminaires, mains cable 3m with Euro plug, switching line 0,3m with Euro coupling, two sensor cables 3m with sensor K60, switch function: opening one of the two doors switches the light on and closing the doors switches it off again.

Connection: 220 - 240V / 50 - 60Hz Symbols: CE, MM, IP20, SK II EAN-No.: 4051268177153 Weight: 0,21 kg

Special features:  
motion of door operates switch opening the door switches the light on and closing the door switches it off again

suitable for switching LED transformers max. 250 W or SlimLite<sup>®</sup> lighting rows up to 3 luminaires two sensors (alternate switching) (lights on when one door is opened) distance between sensor and the inside of the door should be 4 up to 50 mm (depending on the surface)