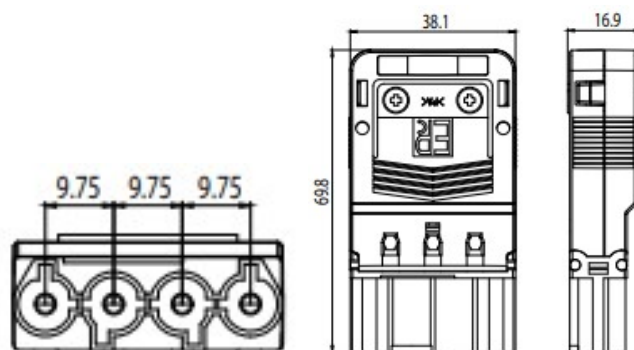


5-Pole DALI Pushfit Lighting Connector Plug



Product Code ACC.5PCP.005

General Information

Rated Current / Voltage	20A 250V/400V~
Number Of Poles	5
Materials	Body: Polyamide (PA6/6 V0) Black Contacts: Brass silver Plated
Terminal Type	Screw (Cross Head)
Screw Torque	Terminals: 0.5Nm, Cover Screws: 0.6Nm
Impulse Voltage	5kV
Temperature Rating	100°C
Terminal Cable Size	1.5mm ² Min.—2.5mm ² Max.
Strain Relief Cable	7.5mm ϕ Min. - 10.5mm ϕ Max.
Cut & Strip Lengths	Cut: Live & Neutral: 31mm, Earth: 39mm Stripped: 8mm
Ferrule / Bootlace	2.7mm ϕ Max.
IP Rating	IP20 (IP40 When Plugged In)
Compatible Male Plug	FSSR5BKM)