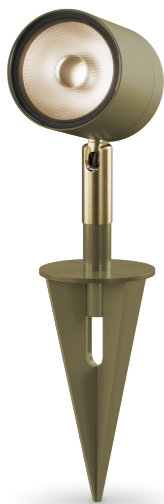
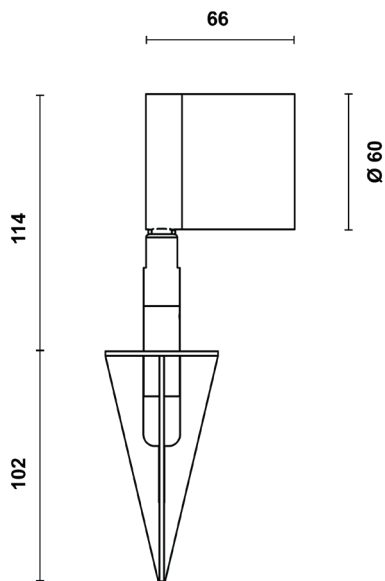


# brevont

## FARO SPIKE



## FAROSPIKE.OG.35.927



### Product Information

Super compact LED luminaire for the enhancement of landscape and architectural details through refined accent lighting effects.

Installation	In-ground with 100mm spike
Size / Weight	Ø60 66x216 mm / 0.7 Kg
Colour	Olive Grey RAL7002 / Brass swivel
Body Material	A2 stainless steel with Brass swivel
Screen Material	Tempered glass
Fixing Position	Full orientation capability
Warranty	5 year warranty

### Technical Data

Light Source	LED
CCT (K) / CRI	2700K / 80 CRI (90 on request)
Luminous Efficacy	97lm/W
Delivered Lumen	1218lm
Beam Angle	35° (wide)
Power Consumption	12.5W
Current	350mA
Ingress Protection	IP67
Impact Resistance	IK08
Driver	Remote (to be ordered separately)
Operating temperature	-30°C to 40°C
Rated life	50,000hrs

### Accessories (to be ordered separately)

FAROSPIKE.V.AN - FARO SPIKE VISOR ANTHRACITE RAL7016  
FAROSPIKE.V.OG - FARO SPIKE VISOR OLIVE GREY RAL7002

FAROSPIKE.HL - FARO SPIKE HONEYCOMB LOUVRE  
FAROSPIKE.DRIVER.DALI - FARO SPIKE DRIVER DALI 39W IP20