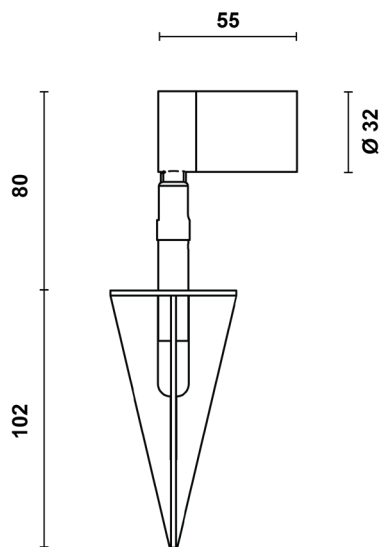


FARO MINI SPIKE

FAROMINISPIKE.AN.43.930



IP67

IK07



Product Information

Super compact LED luminaire for the enhancement of landscape and architectural details through refined accent lighting effects.

| | |
|-----------------|--------------------------------------|
| Installation | In-ground with 100mm spike |
| Size / Weight | Ø 32 55x182 mm / 0.4 Kg |
| Colour | Anthracite RAL7016 / Brass swivel |
| Body Material | A2 stainless steel with Brass swivel |
| Screen Material | Tempered glass |
| Fixing Position | Full orientation capability |
| Warranty | 5 year warranty |

Technical Data

| | |
|-----------------------|-----------------------------------|
| Light Source | LED |
| CCT (K) / CRI | 3000K / 80 CRI (90 on request) |
| Luminous Efficacy | 92lm/W |
| Delivered Lumen | 275lm |
| Beam Angle | 43° (wide) |
| Power Consumption | 3W |
| Current | 900mA |
| Ingress Protection | IP67 |
| Impact Resistance | IK07 |
| Driver | Remote (to be ordered separately) |
| Operating temperature | -30°C to 40°C |
| Rated life | 60,000hrs |

Accessories (to be ordered separately)

FAROMINISPIKE.V.AN - FARO MINI SP VISOR ANTH. RAL7016
 FAROMINISPIKE.V.OG - FARO MINI SP VISOR OL. GR. RAL7002

FAROMINISPIKE.DRIVER.DALI - FARO MINI DRIVER DALI 30W IP20
 FAROMINISPIKE.DRIVER.ON-OFF - FARO MINI DRIVER ON-OFF